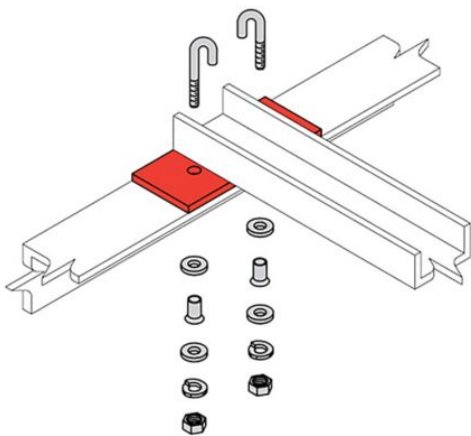


Eaton SB-1163-06 FGP

Catalog Number: SB-1163-06 FGP

Eaton B-Line series open frame racks, Red, 9/16" hole diameter, Made from UL-94 VO material for flame resistance, Two-hole isolation pad

General specifications



Product Name

Eaton B-Line series open frame racks

Catalog Number

SB-1163-06 FGP

UPC

799038011941

Product Length/Depth

4.13 in

Product Height

0.0625 in

Product Width

2.13 in

Product Weight

0.06 lb

Certifications

Not Applicable

Photo is representative

defaultTaxonomyAttributeLabel

Color

Red

Material

Polyester fiberglass

Model

Two-hole isolation pad

Size

9/16 in hole diameter

Resources

Catalogs

[network equipment rack and accessories](#)

Specifications and datasheets

[Eaton Specification Sheet - SB-1163-06 FGP](#)



Eaton Corporation plc
Eaton House
30 Pembroke Road
Dublin 4, Ireland
Eaton.com
© 2024 Eaton. All Rights Reserved.

Eaton is a registered trademark.

All other trademarks are property of their respective owners.



[Eaton.com/socialmedia](https://www.eaton.com/socialmedia)